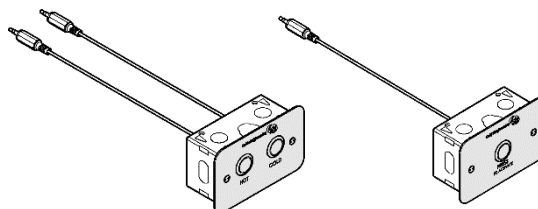


GalvinCare® Ligature Resistant Concealed Face Plate for Dual Temp Basin

PRODUCT CODE:

- 52476 - 52434
- 52465 - 52448



SPECIFICATIONS

- Galvincare® Face Plate assemblies provide the complete ligature & vandal resistant solution and are specifically designed for high risk and secure establishments.
- Features a 2mm thick stainless steel face plate with push activation buttons, designed to be mounted flush into the wall/trough
- These units must be installed with Galvin's stainless steel water hammer resistant 24V AC solenoids and Galvincare® controller.

TECHNICAL DATA

| | | |
|---|--------------|-----------------|
| Sensor | Type | IP68 24V |
| | Activation | Push Button |
| | Connections | 3.5mm Male Jack |
| | Cable length | 5m |
| Finish (user) | | Stainless Steel |
| Nominal Flow Rate (LPM) | | N/A |
| NOTE: Galvin Engineering continually strive to improve their products. Specifications may change without notice. | | |

PRE - INSTALLATION

IMPORTANT:

- **INSTALLATION COMPLIANCE:** Galvin Engineering products must be installed in accordance with these installation instructions and accordance with AS/NZS 3500, the PCA and your local regulatory requirements. Water and electrical supply conditions must also comply to the applicable national and/or state standards. Failing to comply with these provisions shall void the product warranty and may affect the performance of the product (Refer supplied installation compliance sheet with the product).
- These units must be used with Galvincare control module and solenoids.
- Before proceeding with installation first check the solenoid valve (not supplied with this unit, must be ordered separately) is suitable for the site water pressure and conditions. If your water pressure is outside the stated range, please contact Galvin Engineering.
- Ensure all supply lines are flushed thoroughly to remove debris prior to the installation of this product. A line strainer is supplied to protect the solenoid valve from debris.
- We recommended a thermostatic mixing valve is used to provide pre-mixed water to the valve and pressure reduction valve may be required to comply with recommended maximum supply pressure.

- Whilst our product designs consider a broad range of installation types and surfaces, it is important that surfaces which fixtures are mounted to are flat and free from defect. This is especially important for our Galvincare® range where special attention is required to minimise ligature points and areas for concealment of contraband. In addition to ensuring the products are fitted securely and in accordance with the following instructions, consideration shall be given to the use of non-pick mastics such as BASF Sonolastic "Ultra" to ensure a high quality and safe installation.

GENERAL INSTALLATION REQUIREMENTS

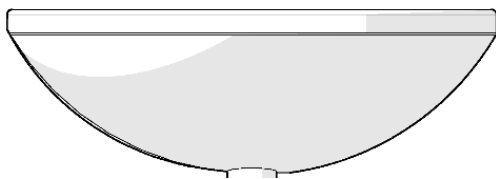
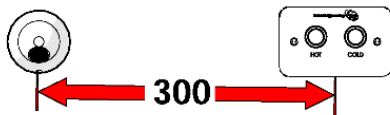
- Most installation problems are due to damage to the unit during installation or the selection of an inappropriate installation location. Select the location carefully and take care with the installation, consider ease of operation for the end user.
- Do not cut the wires or extend the existing leads without using a correct lead extension from Galvin Engineering, as this will void warranty.
- Suitable access to the service of all components must be provided.
- Do not apply heat near this product during connecting water line. Heat generated by soldering could damage plastic or electrical parts and seals and will void the warranty.
- For personal installation assistance and spare parts, please call our head office on 1300 514 074 and speak to our customer service staff.

MOUNTING DETAILS

Face plate cut out position

- Locate push button faceplate at a suitable distance from the outlet (we recommend 300mm from the centre of the outlet and at a suitable height or to project specification).

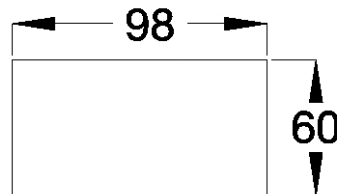
Note: The outlet can be either wall mounted or hub mounted (Outlets are not supplied and must be ordered separately).



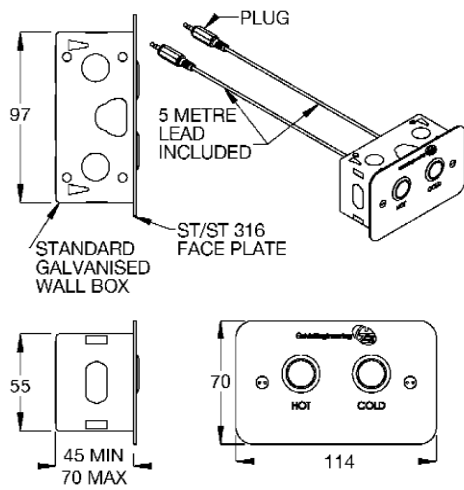
Typical Installation

Cut out details for face plate

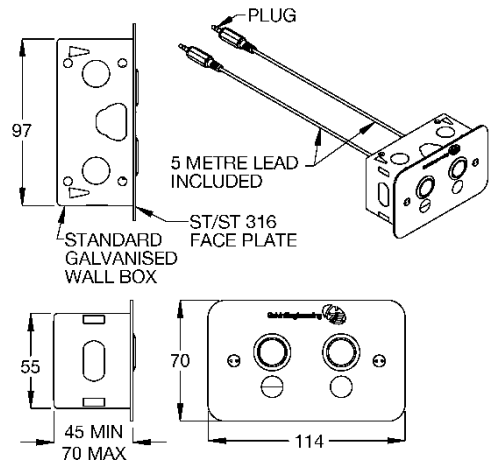
- The stainless steel face plate assembly should be mounted flush to the wall with over a 98mm x 60mm cut-out. Ensure wall depth is between 45mm minimum - 70mm maximum from the finished wall surface to the back of the box.



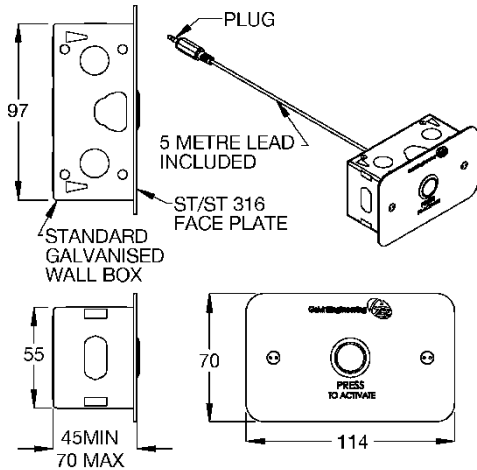
COMPONENT DIMENSIONS



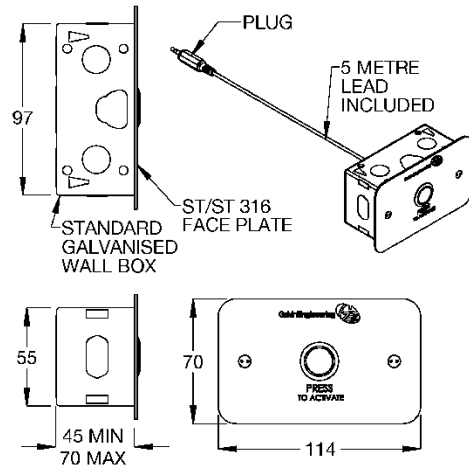
52448- STAINLESS STEEL CONCEALED FACE PLATE DUAL TEMPERATURE BASIN



52476- STAINLESS STEEL CONCEALED FACE PLATE DUAL FLUSH PAN

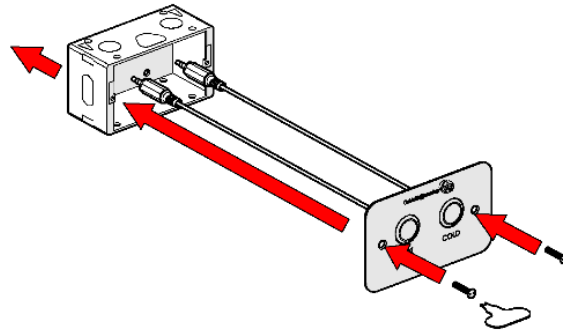


52465- STAINLESS STEEL CONCEALED FACE PLATE SINGLE TEMPERATURE PAN



52434- STAINLESS STEEL CONCEALED FACE PLATE SINGLE TEMPERATURE BASIN

INSTALLATION



1. Mount face plate

- Mount supplied galv box into the wall 1 or 2mm below the finished wall surface. The galv box can fix to a masonry wall or wall frame using screws suitable for the fixing method. (fasteners to be supplied by installer).
- We recommend that all cabling is fed through 25mm conduit to make servicing and replacement easier.
- Apply a thin bead of silicon on the edge of the wall cutout.
- Fit the faceplate to galv box with supplied screws, use supplied snake eye key.
- **If extension leads are required, please contact Galvin Engineering.**



Do not force the faceplate to fit onto a wall or attempt to disassemble components, as this could result in damage to push button sensor.

2. Connect solenoid (not supplied with this unit, must order separately).

- Connect solenoid assemblies to the outlet in accordance with AS/NZS 3500.

3. Connect water lines (not supplied with this unit, must order separately).

- Connect the water supply to the strainers and turn on water supply in accordance with AS/NZS 3500. Check for leaks.

4. Mount and connect control module (not supplied with this unit, must order separately).

- Connect the button leads to the input side of the control module and the solenoid leads to the output side. The ends of the leads are colour coded for easy identification.

5. Connect the power supply and check for correct operation

- Connect the module to the GPO.
- When the button is pushed water should flow from the outlet.

Note: The factory pre-set run time as per requirement of each unit, but it can be adjusted at any time, please contact Galvin Engineering.

⚠ Do not cut the leads. If the leads are too long, it is recommended that any excess is coiled up and clipped to the wall.

⚠ The connection of this product to mains power supply should be undertaken by a competent person and should conform to local Wiring Regulation – AS3000 Wiring rules.

⚠ All electrical components should be protected from contact with water or excessive heat and installed in accordance with local regulations.

TROUBLE SHOOTING

| PROBLEM | CAUSE | RECTIFICATION |
|-----------------------|---|--|
| No water flow | No power | Check power is reaching transformer |
| | Faulty solenoid valve | Check electrical connections, Replace solenoid valve |
| | Water or structural damage to electrical components | Replace damaged electrical components |
| | Incorrect connections | Check all connections |
| | Damage to sensor lead or power supply lead | Check and replace lead & controllers |
| | Pressure exceeding 500kPa | Reduce pressure to solenoid to 350 kPa |
| | Water corroded electrical connections | Replace electronic components |
| Continuous water flow | Solenoid valve jammed open | Remove obstruction from the solenoid valve |
| | Solenoid installed incorrectly | Reinstall valve correctly |

MAINTENANCE INSTRUCTIONS

- These items are non-serviceable products. If damaged they must be replaced.
- If there appear to be any problems with these items, please contact Galvin Engineering.

Note: Before attempting to replace any of these items check that you have access to re-run the connection leads. If you do not have access or you have any doubts, please contact Galvin Engineering for advice before commencing replacement.

WARRANTY

Galvin Engineering products are covered under our Manufacturer's Warranty. Galvin Engineering products must be installed in accordance with the installation instructions and in accordance with AS/NZS 3500 and NCC Volume Three, relevant Australian Standards and local authorities applicable to product being installed. Water and electrical supply conditions must also comply to the applicable national and/or state standards, failing to comply with these provisions may void the product warranty and affect performance of the product.

Please visit www.galvinengineering.com.au to view the full warranty, our Installation Compliance and Maintenance & Cleaning information as well as any other additional information.

DEFINITIONS AND DISCLAIMER

Galvin Engineering manufactures a range of products marked as Ligature Resistant or Vandal Resistant. Please visit www.galvinengineering.com.au to read the definition of these terms and the disclaimer that applies to these products.

Within Australia: 1300 514 074 Outside Australia: P: +61 (0)8 9338 2344

F: +61 (0)8 9338 2340

sales@galvinengineering.com.au

www.galvinengineering.com.au

ABN: 78 008 719 382

PERTH | SYDNEY | MELBOURNE | BRISBANE | ADELAIDE

